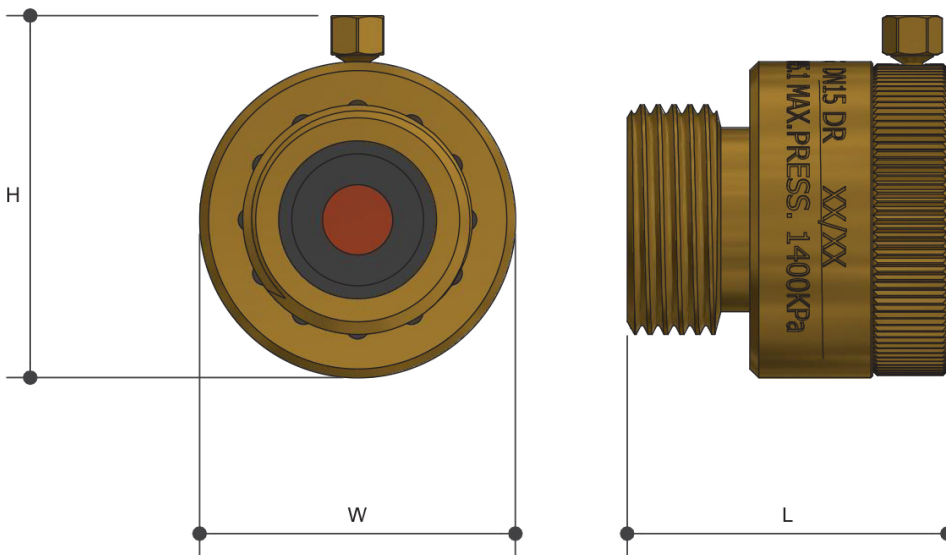


Vacuum Breakers Hosetap Vacuum Breakers

Specifications:

- Watermark Approved
- Tested and Certified to AS/NZS 2845.1
- Made from a solid brass construction
- Working Temperature: 0°C - 90°C
- Working Pressure: 1400kPa



Code	H	W	TH
WVB15	37	36	G 3/4"
WVB20	40	44	G 1"



Where would we be without Gas?